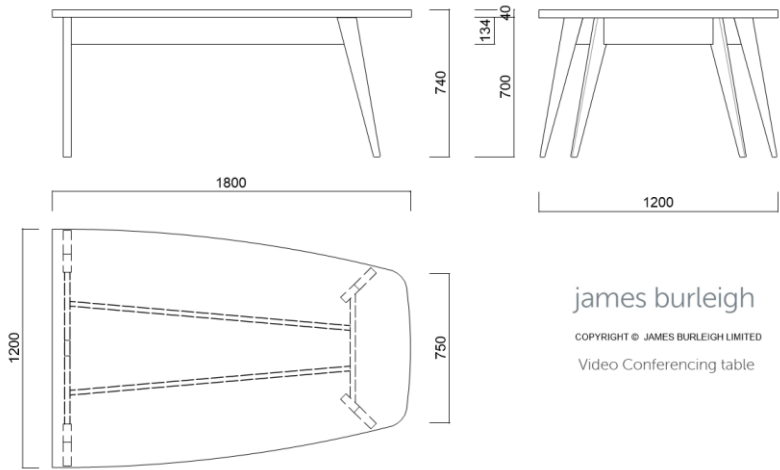


VIDEO CONFERENCING TABLE



**Table sizes, mm**

Height 740mm, Depth tapered design

- 1200w x 1000d > 750d
- 1500w x 1000d > 750d
- 1800w x 1000d > 750d
- 1800w x 1200d > 750d
- 2400w x 1000d > 750d
- 2400w x 1200d > 750d
- 2800w x 1000d > 750d
- 2800w x 1200d > 750d
- 3000w x 1000d > 750d
- 3000w x 1200d > 750d

**+ Custom sizes available  
 (Media centre optional)**

**Tables sizes, Inches**

Height 29-1/8", Depth tapered design

- 48"w x 40" > 30"d
- 59"w x 40" > 30"d
- 71"w x 40" > 30"d
- 71"w x 48" > 30"d
- 96"w x 40" > 30"d
- 96"w x 48" > 30"d
- 112"w x 40" > 30"d
- 112"w x 48" > 30"d
- 118"w x 40" > 30"d
- 118"w x 48" > 30"d

**+ Custom sizes available  
 (Media center optional)**

**Edges and legs**



Ash      Ebonized      Oak      Walnut      Maple

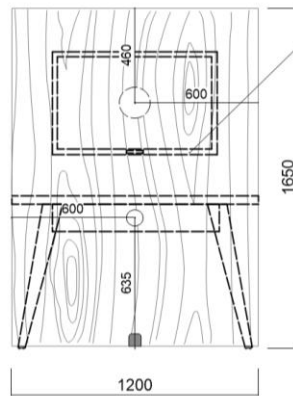
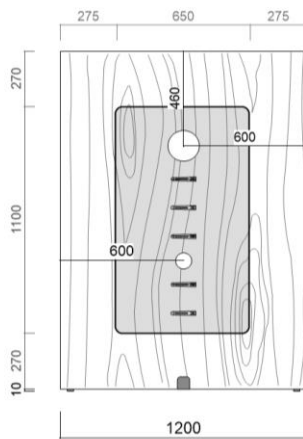
**Tabletop Surface**

Large number of standard colours and wood grain compact laminate options. See [www.jamesburleigh.co.uk/options](http://www.jamesburleigh.co.uk/options)

**Custom**

- IT power data integration
- Castors to make table moveable

MEDIA CENTRE



Outline of possible surface-mounted tv (TV By others)

james burleigh

COPYRIGHT © JAMES BURLEIGH LIMITED  
Media Centre



125

**Media Centre sizes, mm**

Height 1600mm

1000w x 200d

1200w x 200d

+ Custom sizes available

**Media Center sizes, Inches**

Height 63"

40L " x 8 d"

48L" x 8 d"

+ Custom sizes available

**Surface**

Large number of standard colours and wood grain compact laminate options. See

[www.jamesburleigh.co.uk/options](http://www.jamesburleigh.co.uk/options)

**Custom**

IT power data integration

Castors to make unit moveable

Holes cut into back panel for cables

'Mouse-hole' cut into bottom of panel for cables

\*Screen / Electrics by others

\*\*Assumed position, against a wall